



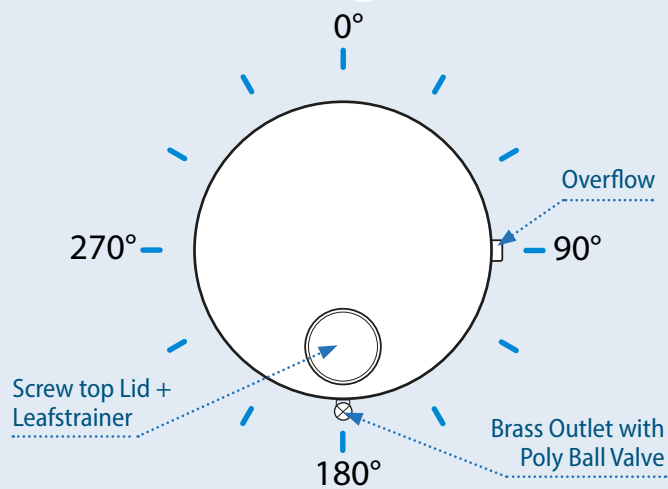
TANK PLANNER

Round Tanks 4,500L-50,000L



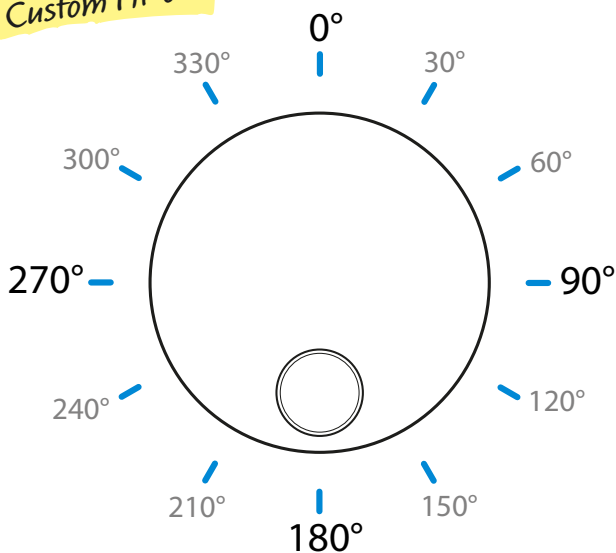
STANDARD LAYOUT

This is how your tank will be set up if you do not specify otherwise.



ITEM	POSITION
Screw Top Lid and Leafstrainer	180°
Brass Outlet with Poly Ball Valve	180°
Overflow	90°

Custom Fit-out



YOUR LAYOUT

Fill in your required positions in the table below.

SIZE (L)	
COLOUR	

ITEM	POSITION
Brass Outlet with Poly Ball Valve	

OVERFLOW 0° 90° 180° 270°

NOTES:

